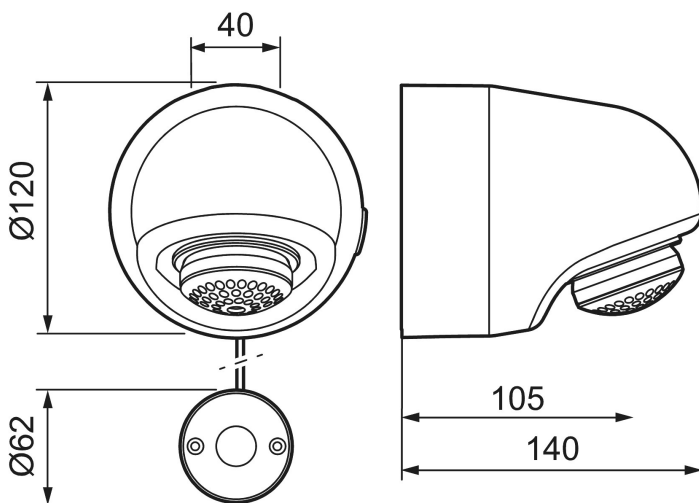




Unique characteristics



FM Mattsson tronic compact WMS, with thermostatic function, battery operation

Article number: 95177000

Description: Chrome, battery operation, included battery, excluded mounting plate

- Tronic Copcompact with possibilities of wireless connection
- Thermostatic function, with adjustable temperature
- Battery operation, can be converted to mains operation
- Connection at the back, connection are ordered separately
- Solenoid valve, shut-off valve and electronics integrated in the shower head
- Programmable start button. Rinsing time from 10–60 seconds, (30 seconds is the factory preset)
- Flush Timeout - safety shut-off to prevent flooding, maximum of 5 minutes
- Jet angle adjustable +/- 5°
- Flow limiter 9 l/min
- Can be turned off by solenoid valve (eg for cleaning)
- Low power consumption - Long life
- Equipped with function for thermal disinfection against legionella
- IP class sensor, IP67
- Approved non-return valves, EN-Standard EN1717

Installation:

- The power cable between the shower head and the start button should ideally be placed in the joints between wall tiles or in a pipe, but take care not to damage the wall's moisture barrier
- Mains operation requires installation of the AC adapter FMM S600131, and power supply FMM S600129 alternatively transformer FMM S600128, plus extension cable FMM S600127

Tronic WMS:

- With wireless connection to the Tronic WMS system (gateway and subscription required) alternatives via Dongel (729482) the following opportunities are obtained:
 - Programmable rinsing time from 10–60 seconds
 - Built-in temperature measurements (measures output water temperature)
 - Programmable temperature stop, the mixer will turn off directly at set maximum temperature
 - Flush time control, prevents overflow, maximum flush time 5 min.
 - Adjustable hygiene flushing, interval and flush time (to prevent water becoming stagnant)
 - Logging of all flushings with point of time, water consumption and temperature. - Only with WMS
 - Alarm via SMS or email – Only with WMS