



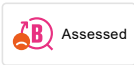
## SILJAN kitchen mixer

Siljan is FM Mattsson's new signature collection. It includes a wide range of products with a strong focus on design and smart technology, in line with our vision of caring for people and the environment. Siljan is a natural choice for anyone who aspires to a sustainable lifestyle. A wide range of models guarantees that you will find exactly the right solution for your kitchen.

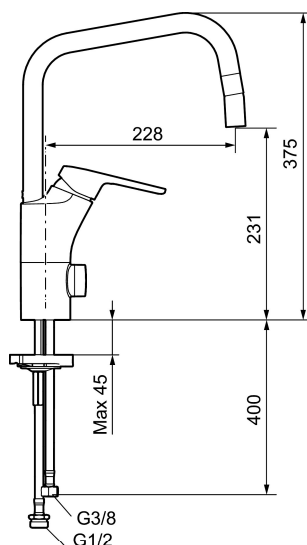
**Article number:** 83013010

**Description:** Chrome, with ball-jointed aerator, connection nut G3/8"

### Unique characteristics



Backflow protection unit type



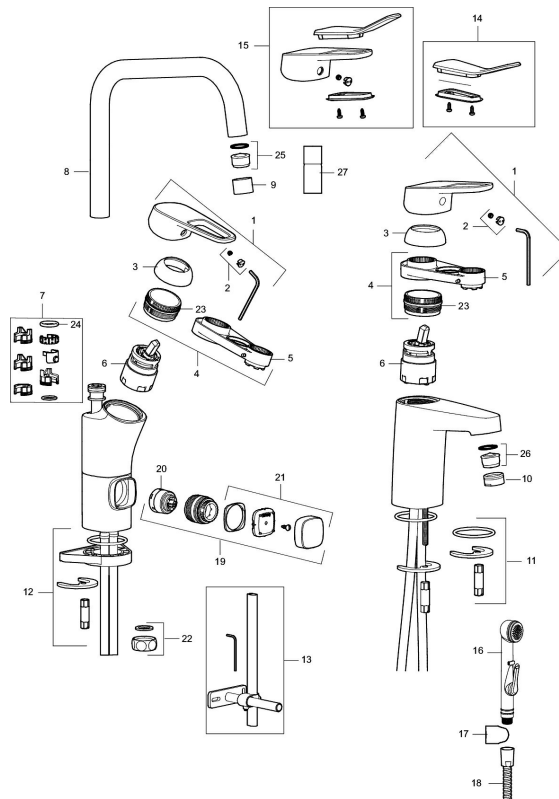
- With ball-jointed aerator
- Cold Start
- Ceramic cartridge with soft closing function
- Adjustable flow control and temperature limiter
- Eco Flow (energy and water saving aerator)
- Swivel spout, limitation part for 60°, 85°, 110° or 360° included
- With dish washer valve, switchable between cold and hot water. Pre-set on cold water
- Soft PEX® hoses (stainless steel braided)
- Hole diameter Ø34-37 mm

## PRODUCT DESCRIPTION

### SILJAN kitchen mixer

Siljan is FM Mattsson's new signature collection. It includes a wide range of products with a strong focus on design and smart technology, in line with our vision of caring for people and the environment. Siljan is a natural choice for anyone who aspires to a sustainable lifestyle. A wide range of models guarantees that you will find exactly the right solution for your kitchen.

Article number: 83013010



### Sparepartlist

NO.	FMM NO.	RSK	DESCRIPTION
	44450009	8295353	Accessories (limitation segment, stop screw, allen wrench 3 mm)
1	58501000	8592023	Complete lever, chrome
2	58511000	8592021	Cover lid with colour marking
3	58521000	8592020	Cover sleeve, chrome
4	58530140	8241726	Fastening nipple with service tool
5	60770000	8591918	Service tool
6	59120009	8591949	Ceramic cartridge with service tool, cold start (green ring)
6	59120000	8591769	Ceramic cartridge, cold start (green ring)
6	59115500	8591947	Ceramic cartridge with service tool, standard (red ring)
6	59126000	8591966	Ceramic cartridge with service tool, Eco Plus (green ring)

NO.	FMM NO.	RSK	DESCRIPTION
6	S600232		Cartridge, for basin mixer, LEED compliant
7	58641000	8594560	Lock kit for swivel spout
8	58650000	8186897	Spout, chrome
9	29142200	8281524	Housing M22 int.
10	29142400	8281526	Housing M24 ext., 13 mm
11	39140800	8186891	Fastening kit for basin mixer
12	39142800	8186893	Fastening kit, for kitchen mixer with on/off valve
13	39147000	8592050	Stabilizer kit
14	35974009	8592038	Care-kit
15	58504000	8592049	Care-lever, complete
16	S600206	8233049	Self-closing hand shower, chrome
17	34093000	8186018	Wall bracket, chrome
18	S600207	8236647	Shower hose, L=1,5 m, chrome
19	59291000	8186896	On/off valve for dishwasher, complete
20	59271000	8591843	Ceramic cartridge for dishwasher
21	58281000	8592036	Knob for dishwasher, chrome
22	29651501	8531502	Rough chrome plated
23	29390000	8295356	Fastening nipple
24	37801550	8295350	O-ring 15,54 x 2,62, 2 pcs
25	29102290	8242220	Aerator insert, 7–9 l/min at 300kPa
25	29102890	8281533	Aerator insert, 10–13 l/min at 300kPa
26	29102910	8281534	Aerator insert, 5,5–6,5 l/min at 300kPa
26	29102710	8281528	Aerator insert, 9–11 l/min at 300kPa
26	29100500	8281532	Aerator insert, 5 l/min at 200–600 kPa
26	S600072	8281671	Aerator insert, 3 l/min at 200–600 kPa
27	29285009	8242280	Aerator M22 int., ball joint, 7–9 l/min at 300 kPa