



9000XE shower kit Vaska

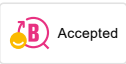
9000XE shower kit is our complete shower kit with a mixer and shower set in chrome. The mixer, combined with the large nozzle, delivers a pleasant shower experience with good pressure and an ample jet range without wasting water. The shower kit is easy to install in all types of bathrooms and can be supplemented with a tub spout.


This product is LEED/BREEAM compliant, which means it meets the flow rate requirements applicable to certain new buildings and conversions.

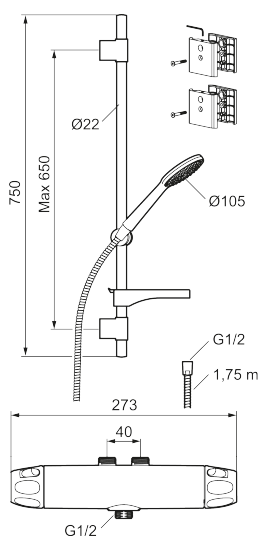
Article number: 86891003 **Flow 3 bar:** 6.0 l/m

Description: Brushed chrome, 40 c/c, pipe connection up, LEED/BREEAM compliant

Unique characteristics



Backflow protection unit type 



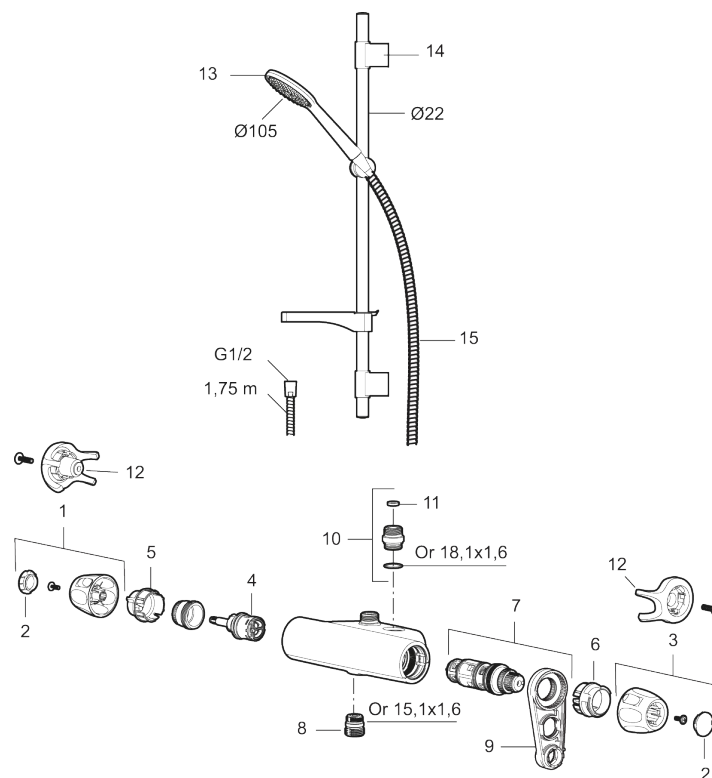
- Note! 40 c/c
- Safety mixer 9000XE and shower set 9000XE
- Shower set has anti lime-scale hand shower, shower bar with slider, soap dish and wall brackets with sealing
- Lead Free material

PRODUCT DESCRIPTION

9000XE shower kit Vaska

9000XE shower kit is our complete shower kit with a mixer and shower set in chrome. The mixer, combined with the large nozzle, delivers a pleasant shower experience with good pressure and an ample jet range without wasting water. The shower kit is easy to install in all types of bathrooms and can be supplemented with a tub spout. This product is LEED/BREEAM compliant, which means it meets the flow rate requirements applicable to certain new buildings and conversions.

Article number: 86891003



Sparepartlist

NO.	FMM NO.	RSK	DESCRIPTION
1	S600083	8218917	On/off handle, complete, krom
1	S600083.75	8218919	On/off handle, complete, brushed chrome
2	S600116	8218920	End cover, chrome
2	S600116.75	8218922	End cover, brushed chrome
3	S600082	8218914	Temperature handle, complete, chrome
3	S600082.75	8218916	Temperature handle, complete, brushed chrome
4	S600020	8441462	Ceramic headwork, with service tool (shower mixer)
5	S600086	8439710	Stop ring, standard
6	S600087	8439711	Scalding protection ring

NO.	FMM NO.	RSK	DESCRIPTION
7	S600084	8439709	Thermostatic cartridge, complete, incl. service tool
8	S600088	8439712	Nipple M18x1-G1/2 for shower mixer
9	60770000	8591918	Service tool
10	59820800	8591970	Inlet connector
11	38632006	8590311	Filter
12	S600105	8439713	Care-handle, black, 2 pcs
13	S600091	8233001	Hand shower, chrome
13	S600091.75	8233003	Hand shower, brushed chrome
14	S600095	8239500	Wall bracket, chrome
14	S600095.75	8221926	Wall bracket, brushed chrome
15	S600109	8252036	Shower hose, chrome
15	S600109.75	8252038	Shower hose, brushed chrome