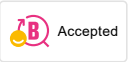
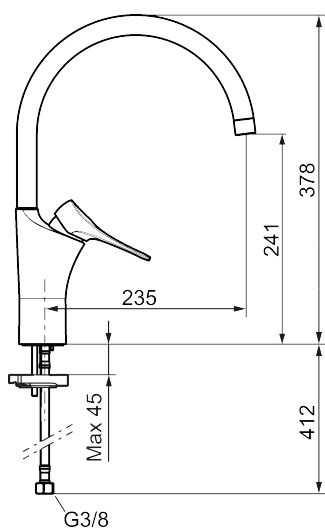




## Unique characteristics



Backflow protection unit type **AA**



## 9000XE kitchen mixer

**Article number:** 86027410 **Flow 3 bar:** 3.1 l/m

**Description:** Chrome, with integrated electronic dish washer cut-off, LEED/BREEAM compliant

- Cold Start
- Ceramic cartridge with soft closing function
- Adjustable flow control and temperature limiter
- Eco Flow (energy and water saving aerator)
- Swivel spout, limitation part for 60°, 85°, 110° or 360° included
- With integrated electronic dish washer cut-off, automatic shut-off after 4 or 12 hours
- Soft PEX<sup>®</sup> hoses with 3/8" connecting nut (stainless steel braided)
- Lead Free material
- Hole diameter Ø34-37 mm