



## SILJAN duo flexi kitchen mixer

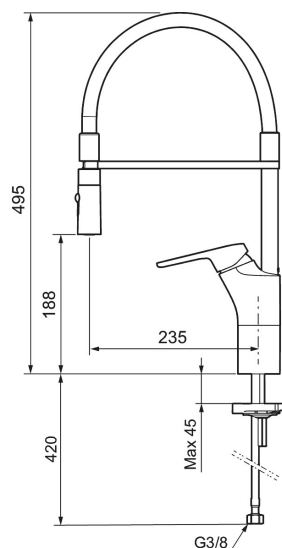
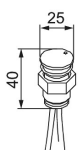
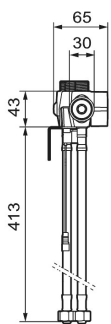
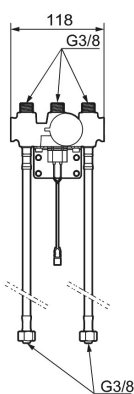
Although the mixers look the same as usual on the outside, sophisticated electronic functions are hidden beneath the surface. The SILJAN duo flexi mixer has a traditional lever function as well as a modern sensor role. The touchless function is practical because the mixer automatically turns on the water when it detects your hands in front of the sensor. SILJAN duo flexi have a detachable nozzle and a choice of jet settings. The mixer keeps your hands clean and helps control bacteria, and also saves water. Simple, durable and above all hygienic!

**Article number:** 83130010 **Flow 3 bar:** 9.1 l/m

**Description:** Chrome, battery operation (included battery) and electronic dishwasher cut-off valve

### Unique characteristics

Backflow protection unit type



- Cold Start
- Ceramic cartridge with soft closing function
- Adjustable flow control and temperature limiter
- Eco Flow (energy and water saving aerator)
- Nozzle with concentrated jet and handshower
- Swivel spout, limitation part for 60°, 85°, 110° or 360° included
- Flush Timeout - safety shut-off to prevent flooding
- Can be turned off for 5 min. (eg for cleaning)
- Low power consumption - Long life
- IP class sensor, IP67
- Approved non-return valves, EN-Standard EN1717

### Installation:

- Automatic sensor calibration
- All models can be adapted for either battery 6V or mains operation 12V AC/DC
- For mains operation requires installation of the adapter kit FMM S600147
- Soft PEX® hoses with 3/8" connecting nut (stainless steel braided)
- Hole diameter Ø34-37 mm

### Settings:

- Programmable detection distance
- Adjustable flush time

**Electronic dishwasher cut-off valve:**

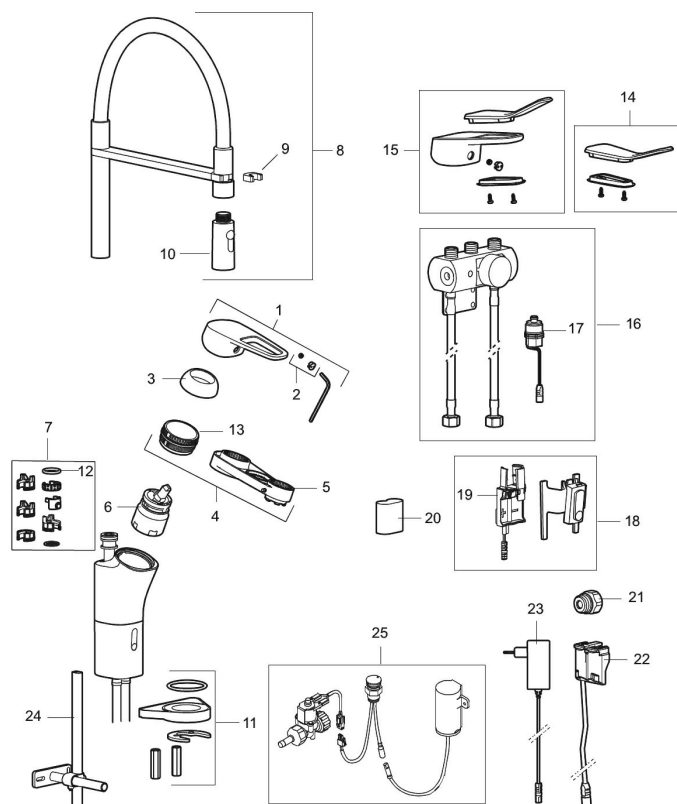
- The touch button is mounted in the sink plate or countertop, panel thickness 0–40 mm
- Colour indicator for mode selection
- Automatic shut-off after 3 or 12 hours
- Supplied with battery, 9V
- Connection G1/2

## PRODUCT DESCRIPTION

### SILJAN duo flexi kitchen mixer

Although the mixers look the same as usual on the outside, sophisticated electronic functions are hidden beneath the surface. The SILJAN duo flexi mixer has a traditional lever function as well as a modern sensor role. The touchless function is practical because the mixer automatically turns on the water when it detects your hands in front of the sensor. SILJAN duo flexi have a detachable nozzle and a choice of jet settings. The mixer keeps your hands clean and helps control bacteria, and also saves water. Simple, durable and above all hygienic!

Article number: 83130010



### Sparepartlist

NO.	FMM NO.	RSK	DESCRIPTION
	44450009	8295353	Accessories (limitation segment, stop screw, allen wrench 3 mm)
1	58501000	8592023	Complete lever, chrome
2	58511000	8592021	Cover lid with colour marking
3	58521000	8592020	Cover sleeve, chrome
4	58530140	8241726	Fastening nipple with service tool
5	60770000	8591918	Service tool
6	59120009	8591949	Ceramic cartridge with service tool, cold start (green ring)

NO.	FMM NO.	RSK	DESCRIPTION
7	58641000	8594560	Lock kit for swivel spout
8	S600059	8394011	Spout, complete, chrome
9	S600061	8393993	Spout mount
10	S600060	8394012	Nozzle
11	39142800	8186893	Fastening kit, for kitchen mixer with on/off valve
12	37801550	8295350	O-ring 15,54 x 2,62, 2 pcs
13	29390000	8295356	Fastening nipple
14	35974009	8592038	Care-kit
15	58504000	8592049	Care-lever, complete
16	16282000		Mixing valve
17	16201000	8553500	Solenoid valve
18	S600166	8387157	Sensor
19	16223000		Battery holder
20	S600135	8483191	Battery
21	S600141	8229257	Transition nipple
22	S600131	8483190	AC adapter
23	S600129	8483188	Power supply 12V
24	39147000	8592050	Stabilizer kit
25	35010000	8394002	Electronic dishwasher cut-off valve