



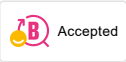
9000XE care basin mixer

Article number: 86504110 **Flow 3 bar:** 1.7 l/m

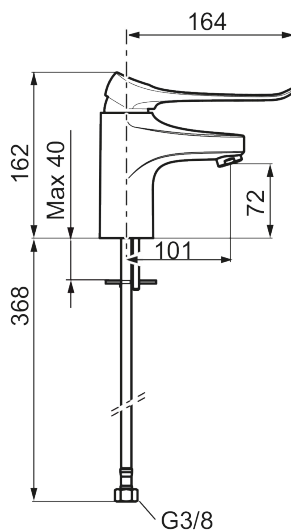
Description: Chrome, LEED/BREEAM compliant

- Cold Start
- Ceramic cartridge with soft closing function
- Adjustable flow control and temperature limiter
- Eco Flow (energy and water saving aerator)
- Soft PEX[®] hoses with 3/8" connecting nut (stainless steel braided)
- Lead Free material
- Hole diameter Ø34-37 mm

Unique characteristics



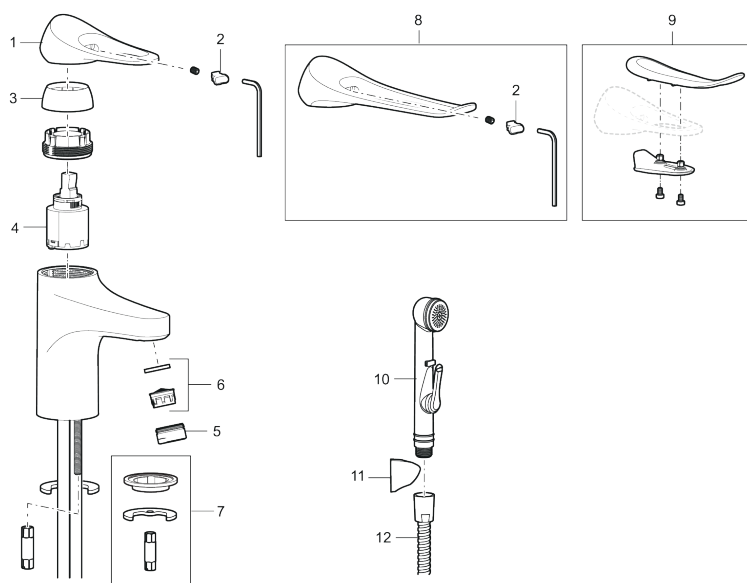
Backflow protection unit type **AA**



PRODUCT DESCRIPTION

9000XE care basin mixer

Article number: 86504110



Sparepartlist

NO.	FMM NO.	RSK	DESCRIPTION
1	S600096	8387022	Lever, complete, chrome
1	S600096.75	8387024	Lever, complete, Brushed chrome
2	S600097	8387025	Cover lid with colour marking
3	S600101	8387029	Cover sleeve, chrome
3	S600101.75	8387031	Cover sleeve, brushed chrome
4	S600100	8387028	Ceramic cartridge with tool, for kitchen mixer (LEED) and basin mixer
4	S600099	8387027	Ceramic cartridge, without tool, for kitchen mixer (LEED) and basin mixer
4	S600178	8387036	Ceramic cartridge with tools
4	S600272	8387234	Ceramic cartridge, without tool
5	S600156	8280014	Housing M24 ext., 13 mm, chrome
5	S600156.75	8280015	Housing M24 ext., 13 mm, brushed chrome
6	S600072	8281671	Aerator insert, 3 l/min at 200–600 kPa
6	S600226	8280024	Aerator insert, 1,7 l/min at 200–600 kPa
7	S600160	8387096	Fastening kit, for basin mixer
8	S600175	8387083	Care-lever, complete
9	S600106	8397001	Care-kit
10	S600206	8233049	Self-closing hand shower, chrome
11	S600208	8239743	Wall bracket, chrome
12	S600152	8236561	High-pressure shower hose, L=1,5 m, chrome

