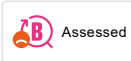




Unique characteristics

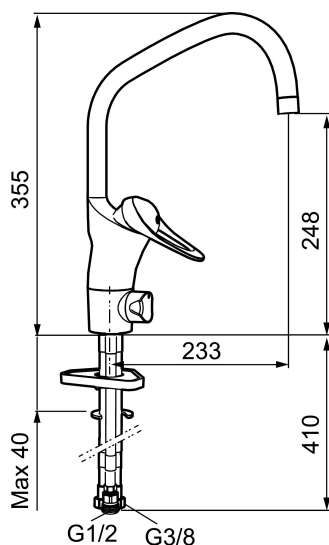


Energy class



Assessed

Backflow protection unit type



9000E III kitchen mixer

An optimal fusion of design and function. The FM Mattsson 9000E range ushers in a new generation of mixers that are environmentally engineered down to the last detail. The mixer brings beauty and technical perfection to your kitchen. Even in its basic version, the mixer has unique functions that save energy without compromising on comfort.

Article number: 80216000 Flow 3 bar: 8.0 l/m

Description: Chrome, Eco Plus, connection nut G3/8"

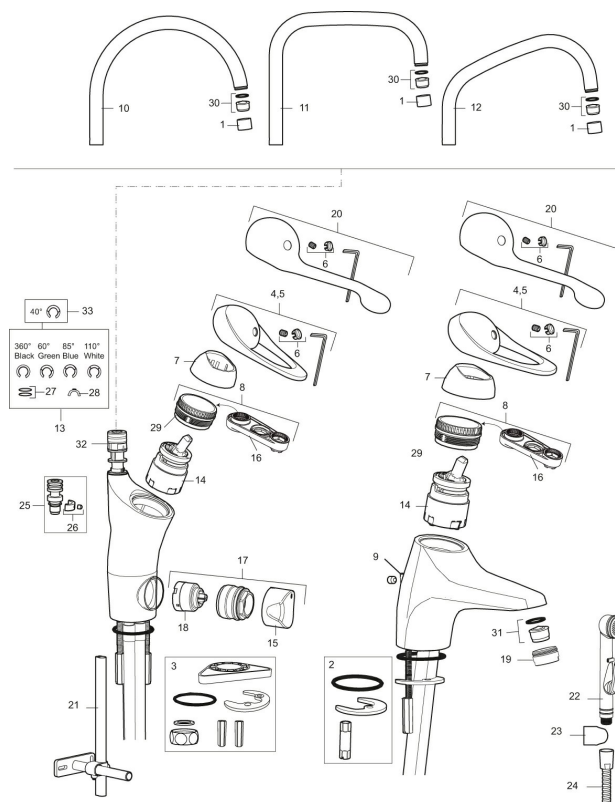
- Cold Start
- Ceramic cartridge with soft closing function
- Adjustable flow control and temperature limiter
- Eco Flow (energy and water saving aerator)
- Swivel spout, limitation part for 60°, 85°, 110° or 360° included
- With dish washer valve, switchable between cold and hot water. Pre-set on cold water
- Soft PEX[®] hoses (stainless steel braided)
- Hole diameter Ø34-37 mm

PRODUCT DESCRIPTION

9000E III kitchen mixer

An optimal fusion of design and function. The FM Mattsson 9000E range ushers in a new generation of mixers that are environmentally engineered down to the last detail. The mixer brings beauty and technical perfection to your kitchen. Even in its basic version, the mixer has unique functions that save energy without compromising on comfort.

Article number: 80216000



Sparepartlist

| NO. | FMM NO. | RSK | DESCRIPTION |
|-----|----------|---------|--|
| 1 | 29142200 | 8281524 | Housing M22 int. |
| 2 | 39140800 | 8186891 | Fastening kit for basin mixer |
| 3 | 39142800 | 8186893 | Fastening kit, for kitchen mixer with on/off valve |
| 4 | 58500000 | 8591936 | Lever, complete, L=90 mm |
| 5 | 58501750 | 8591937 | Lever, complete, L=150 mm |
| 6 | 58510000 | 8591944 | Cover lid with colour marking |
| 7 | 58520000 | 8591945 | Cover sleeve |
| 8 | 58530140 | 8241726 | Fastening nipple with service tool |
| 9 | 58540000 | 8591940 | Chain bracket |

| NO. | FMM NO. | RSK | DESCRIPTION |
|-----|----------|---------|--|
| 10 | 58600000 | 8154074 | Spout, C-model |
| 10 | 58630000 | 8154077 | Spout for wash through mixer |
| 11 | 58610000 | 8154075 | Spout, U-model |
| 12 | 58620000 | 8154076 | Chrome |
| 13 | 58640000 | 8594555 | Lock kit for swivel spout |
| 14 | 59115500 | 8591947 | Ceramic cartridge with service tool, standard (red ring) |
| 14 | 59120009 | 8591949 | Ceramic cartridge with service tool, cold start (green ring) |
| 14 | 59120000 | 8591769 | Ceramic cartridge, cold start (green ring) |
| 14 | 59126000 | 8591966 | Ceramic cartridge with service tool, Eco Plus (green ring) |
| 15 | 59280000 | 8591938 | Knob for dishwasher |
| 16 | 60770000 | 8591918 | Service tool |
| 17 | 59290000 | 8591939 | On/off valve for dishwasher, complete |
| 18 | 59271000 | 8591843 | Ceramic cartridge for dishwasher |
| 19 | 29142400 | 8281526 | Housing M24 ext., 13 mm |
| 20 | 58501800 | 8592048 | Lever, complete, L=180 mm |
| 21 | 39147000 | 8592050 | Stabilizer kit |
| 22 | S600206 | 8233049 | Self-closing hand shower, chrome |
| 23 | 34093000 | 8186018 | Wall bracket, chrome |
| 24 | S600207 | 8236647 | Shower hose, L=1,5 m, chrome |
| 25 | 37791000 | 8295341 | Spout nipple, complete, for fixed spout |
| 26 | 38081000 | 8295334 | Stop screw with limitation segment |
| 27 | 37801550 | 8295350 | O-ring 15,54 x 2,62, 2 pcs |
| 28 | 58642000 | 8295339 | Fixed plug, 2 pcs, (black/grey) |
| 29 | 29390000 | 8295356 | Fastening nipple |
| 30 | 29102290 | 8242220 | Aerator insert, 7–9 l/min at 300kPa |
| 30 | 29102890 | 8281533 | Aerator insert, 10–13 l/min at 300kPa |
| 31 | 29102910 | 8281534 | Aerator insert, 5,5–6,5 l/min at 300kPa |
| 31 | 29102710 | 8281528 | Aerator insert, 9–11 l/min at 300kPa |
| 31 | 29100500 | 8281532 | Aerator insert, 5 l/min at 200–600 kPa |
| 32 | S600018 | 8394128 | Spout nipple, complete |
| 33 | 58644000 | 8594558 | Limitation segment 40° |