



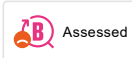
## 9000E shower kit

**Article number:** 82541000 **Flow 3 bar:** 7.5 l/m

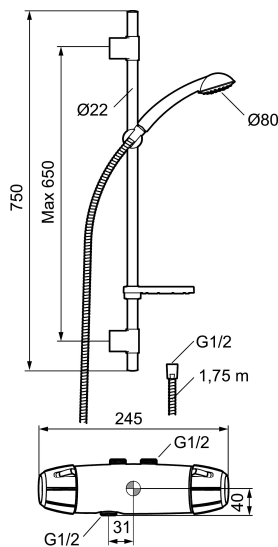
**Description:** Chrome, 40 c/c, pipe connection up

- Constant flow 7,5 l/min at 200–600 kPa
- Safety mixer art.no. 8255-1000 and shower set art.no. 9470-1000
- Shower set have anti lime-scale hand shower, shower bar with slider, soap dish and wall brackets with sealing
- Pipe connection up

### Uniqe characteristics



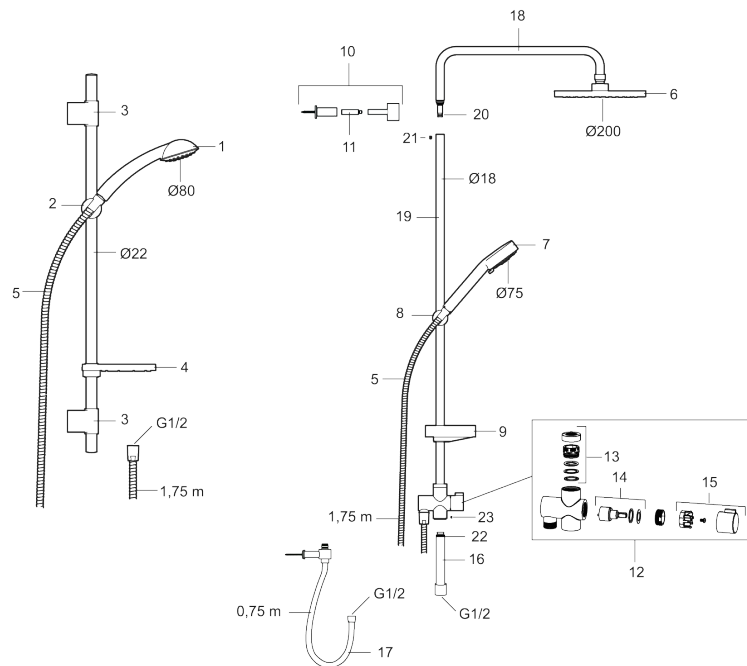
Backflow protection unit type



## PRODUCT DESCRIPTION

### 9000E shower kit

Article number: 82541000



## Sparepartlist

| NO. | FMM NO.  | RSK     | DESCRIPTION                        |
|-----|----------|---------|------------------------------------|
| 1   | 94750900 | 8199210 | Hand shower                        |
| 1   | 94753900 | 8199211 | Hand shower, 3 shower jet settings |
| 2   | 94780000 | 8185685 | Slider                             |
| 3   | 83710000 | 8186586 | Wall bracket, 2 pcs                |
| 4   | 94790000 | 8185648 | Soap dish, transparent             |
| 5   | 34841750 | 8181618 | Shower hose, chrome                |
| 6   | 93991000 | 8180619 | Shower head                        |
| 7   | 93840900 | 8199217 | Hand shower                        |
| 8   | 94671000 | 8183708 | Slider                             |
| 9   | 93441000 | 8185649 | Soap dish                          |
| 10  | 58950000 | 8180414 | Wall bracket                       |
| 11  | 27923500 | 8180415 | Extender, 25 mm                    |
| 12  | 58903000 | 8190747 | Diverter, complete                 |
| 13  | 58961000 | 8221708 | Repair kit for diverter            |
| 14  | 59071000 | 8221706 | Cartridge                          |
| 15  | 59081000 | 8221707 | Handle                             |
| 16  | 58920100 | 8189019 | Extension bar                      |

| NO. | FMM NO.  | RSK     | DESCRIPTION                |
|-----|----------|---------|----------------------------|
| 17  | 93971000 | 8189020 | Connecting hose            |
| 18  | 58941350 |         | Upper bar                  |
| 19  | 58930959 | 8189001 | Lower bar, L=950 mm        |
| 20  | 37800938 | 8592017 | O-ring 7,1 x 1,6, 2 pcs    |
| 21  | 38082000 | 8221717 | Stop screw                 |
| 22  | 37801378 | 8594543 | O-ring 12,42 x 1,78, 2 pcs |
| 23  | 38086000 | 8439701 | Locking screw              |