



9000E basin mixer

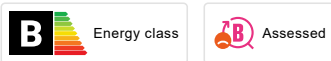
An optimal fusion of design and function. The FM Mattsson 9000E range ushers in a new generation of mixers that are environmentally engineered down to the last detail. The mixer brings beauty and technical perfection to your bathroom. Even in its basic version, the mixer has unique functions that save energy without compromising on comfort.

Article number: 80635000 **Flow 3 bar:** 6.1 l/m

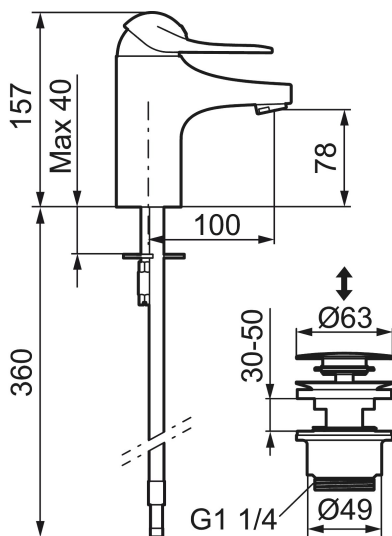
Description: Chrome, connection flat end Ø10 mm

- With push-down waste
- Cold Start
- Ceramic cartridge with soft closing function
- Adjustable flow control and temperature limiter
- Eco Flow (energy and water saving aerator)
- Soft PEX® hoses (stainless steel braided)

Unique characteristics



Backflow protection unit type **AA**

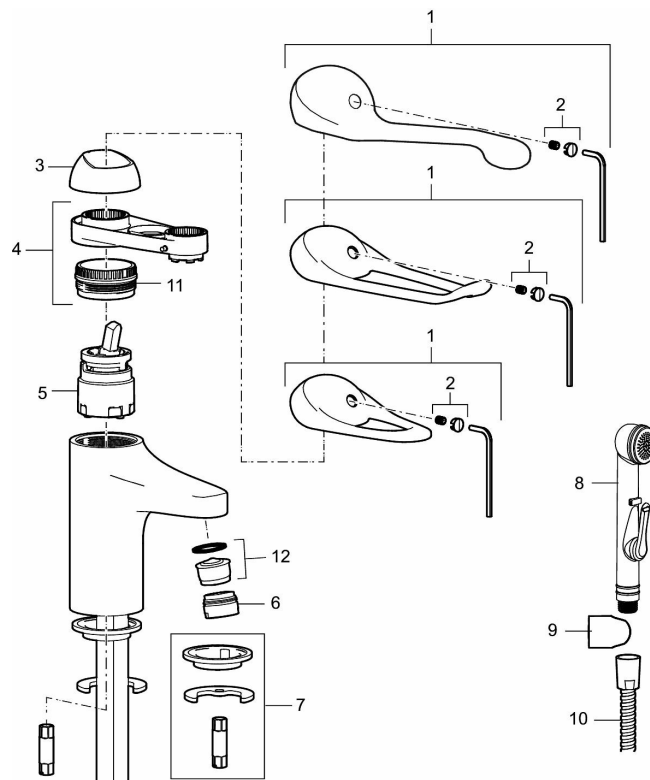


PRODUCT DESCRIPTION

9000E basin mixer

An optimal fusion of design and function. The FM Mattsson 9000E range ushers in a new generation of mixers that are environmentally engineered down to the last detail. The mixer brings beauty and technical perfection to your bathroom. Even in its basic version, the mixer has unique functions that save energy without compromising on comfort.

Article number: 80635000



Sparepartlist

NO.	FMM NO.	RSK	DESCRIPTION
1	58500000	8591936	Lever, complete, L=90 mm
1	58501750	8591937	Lever, complete, L=150 mm
1	58501800	8592048	Lever, complete, L=180 mm
2	58510000	8591944	Cover lid with colour marking
3	58520000	8591945	Cover sleeve
4	58530140	8241726	Fastening nipple with service tool
5	S600273	8387230	Ceramic cartridge with service tool, cold start (green ring)
5	59120000	8591769	Ceramic cartridge, cold start (green ring)
5	59126000	8591966	Ceramic cartridge with service tool, Eco Plus (green ring)
5	S600232		Cartridge, Low flow, for LEED mixers

NO.	FMM NO.	RSK	DESCRIPTION
6	29142400	8281526	Housing M24 ext., 13 mm
7	S600160	8387096	Fastening kit, for basin mixer
8	S600206	8233049	Self-closing hand shower, chrome
9	34093000	8186018	Wall bracket, chrome
10	S600207	8236647	Shower hose, L=1,5 m, chrome
11	29390000	8295356	Fastening nipple
12	29102910	8281534	Aerator insert, 5,5–6,5 l/min at 300kPa
12	29102710	8281528	Aerator insert, 9–11 l/min at 300kPa
12	29100500	8281532	Aerator insert, 5 l/min at 200–600 kPa
12	S600072	8281671	Aerator insert, 3 l/min at 200–600 kPa