

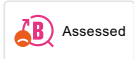
Garden valve for cold and hot water


Article number: 42820050

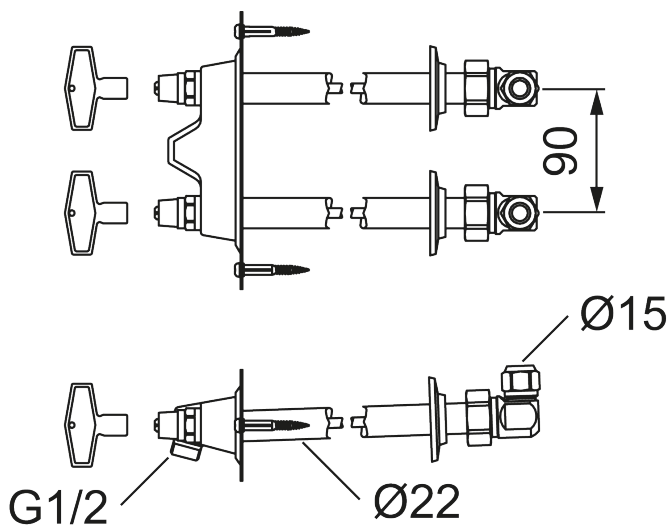
Description: For wall thickness max. 400 mm

- For cold and hot water
- With approved non-return valves
- Can be cut to suit wall thickness
- Wall bracket: H=70 mm, W=180 mm, screw holes c/c 164 mm

Unique characteristics



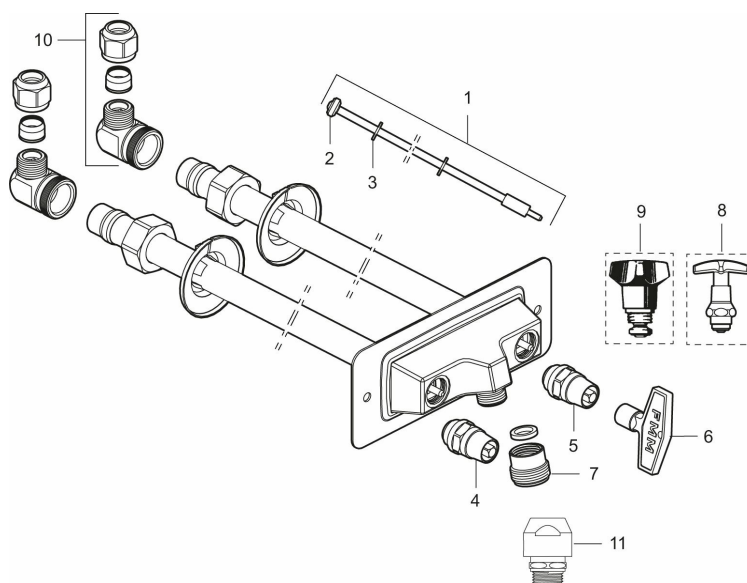
Backflow protection unit type 



PRODUCT DESCRIPTION

Garden valve for cold and hot water

Article number: 42820050



Sparepartlist

NO.	FMM NO.	RSK	DESCRIPTION
1	37504715	4316865	Spindle extender, L=471 mm, for (400 mm)
1	37505715	4316873	Spindle extender, L=571 mm, for (500 mm)
1	37504000	4316878	Spindle extender, L=1058 mm, for (1000 mm)
2	36001529	8913410	Valve cone, 2 pcs
2	36001500	8913411	Valve cone
3	37520000	5438345	Guiding ring, 5 pcs
4	35131501	8588908	Headwork, HW
5	35131500	8588907	Headwork, CW
6	42730009	4316626	Key
7	27250009	8241172	Transition nipple, G3/4 ext. - G1/2 int.
8	35071500	8587314	Headwork, CW, chrome
8	35071501	8587315	Headwork, HW, chrome
9	35051810	8587529	Headwork, CW, olive
9	35051811	8587628	Headwork, HW, olive
10	37541001	4316883	Valve body, complete with cone
11	29816000		Vacuum Valve