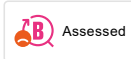




## Unique characteristics

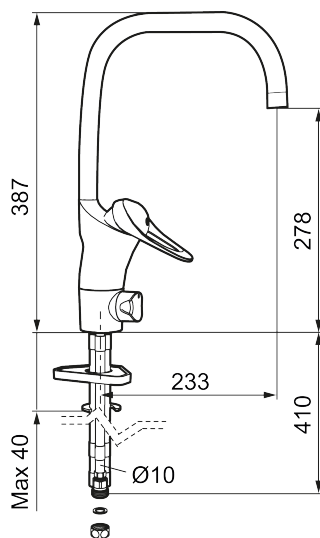


Energy class



Assessed

Backflow protection unit type



## 9000E I kitchen mixer

An optimal fusion of design and function. The FM Mattsson 9000E range ushers in a new generation of mixers that are environmentally engineered down to the last detail. The mixer brings beauty and technical perfection to your kitchen. Even in its basic version, the mixer has unique functions that save energy without compromising on comfort.

**Article number:** 80110000 **Flow 3 bar:** 8.0 l/m

**Description:** Chrome, connection flat end Ø10 mm

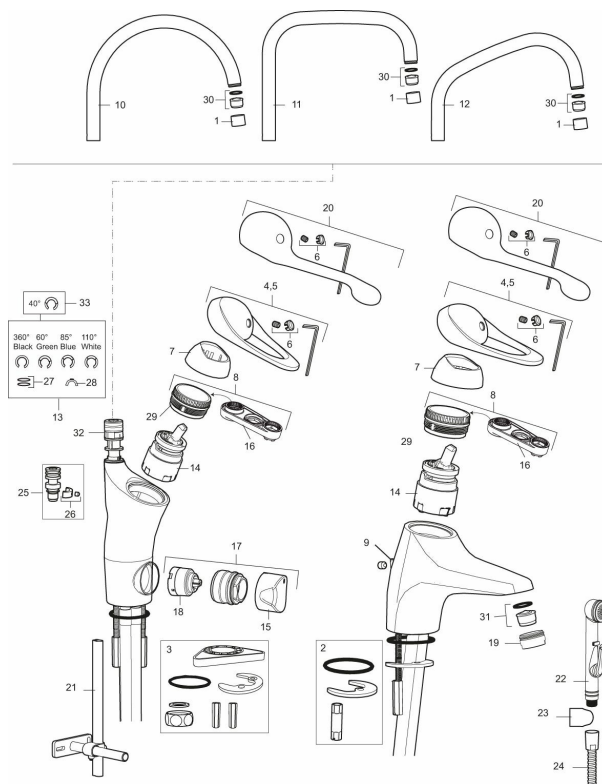
- Cold Start
- Ceramic cartridge with soft closing function
- Adjustable flow control and temperature limiter
- Eco Flow (energy and water saving aerator)
- Swivel spout 60°, 85°, 110° or 360° (limitation part for 60° or 110° included)
- With dish washer valve, switchable between cold and hot water. Pre-set on cold water
- Soft PEX® hoses (stainless steel braided)
- Hole diameter Ø34-37 mm

## PRODUCT DESCRIPTION

### 9000E I kitchen mixer

An optimal fusion of design and function. The FM Mattsson 9000E range ushers in a new generation of mixers that are environmentally engineered down to the last detail. The mixer brings beauty and technical perfection to your kitchen. Even in its basic version, the mixer has unique functions that save energy without compromising on comfort.

Article number: 80110000



## Sparepartlist

NO.	FMM NO.	RSK	DESCRIPTION
1	29142200	8281524	Housing M22 int.
2	S600160	8387096	Fastening kit, for basin mixer
3	S600159	8387097	Fastening kit, for kitchen mixer
4	58500000	8591936	Lever, complete, L=90 mm
5	58501750	8591937	Lever, complete, L=150 mm
6	58510000	8591944	Cover lid with colour marking
7	58520000	8591945	Cover sleeve
8	58530140	8241726	Fastening nipple with service tool
9	58540000	8591940	Chain bracket
10	58600000	8154074	Spout, C-model

NO.	FMM NO.	RSK	DESCRIPTION
10	58630000	8154077	Spout for wash through mixer
11	58610000	8154075	Spout, U-model
12	58620000	8154076	Chrome
13	S600299	8387254	Limitation segment
14	59115500	8591947	Ceramic cartridge with service tool, standard (red ring)
14	S600273	8387230	Ceramic cartridge with service tool, cold start (green ring)
14	59120000	8591769	Ceramic cartridge, cold start (green ring)
14	59126000	8591966	Ceramic cartridge with service tool, Eco Plus (green ring)
15	59280000	8591938	Knob for dishwasher
16	S600298	3870203	Service tool
17	59290000	8591939	On/off valve for dishwasher, complete
18	S600337	8346905	Ceramic cartridge for dishwasher, with service tool
18	S600316	8387265	Ceramic cartridge for dishwasher, without service tool
19	29142400	8281526	Housing M24 ext., 13 mm
20	58501800	8592048	Lever, complete, L=180 mm
21	S600308	8387263	Stabilizer kit
22	S600206	8233049	Self-closing hand shower, chrome
23	34093000	8186018	Wall bracket, chrome
24	S600207	8236647	Shower hose, L=1,5 m, chrome
25	37791000	8295341	Spout nipple, complete, for fixed spout
26	38081000	8295334	Stop screw with limitation segment
27	37801550	8295350	O-ring 15,54 x 2,62, 2 pcs
28	58642000	8295339	Fixed plug, 2 pcs, (black/grey)
29	29390000	8295356	Fastening nipple
30	S600319	8280069	Aerator insert, 7–9 l/min at 300 kPa
30	29102890	8281533	Aerator insert, 10–13 l/min at 300kPa
31	29102910	8281534	Aerator insert, 5,5–6,5 l/min at 300kPa
31	29102710	8281528	Aerator insert, 9–11 l/min at 300kPa
31	29100500	8281532	Aerator insert, 5 l/min at 200–600 kPa
32	S600018	8394128	Spout nipple, complete
33	58644000	8594558	Limitation segment 40°