



## SILJAN duo kitchen mixer


FM Mattsson Siljan Duo has a traditional lever as well as a touchless sensor function. The mixer is activated by holding a hand in front of the sensor. It will deliver a limited amount of water during a chosen time period - 4, 8 or 12 seconds, but can easily be stopped by holding the hand again in front of the sensor. Simple and hygienic!

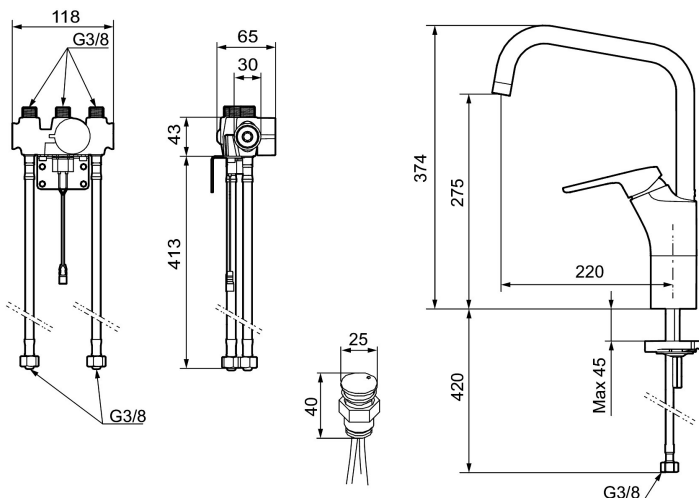
**Article number:** 83030010 **Flow 3 bar:** 10.2 l/m

**Description:** Chrome, battery operation (included battery) and electronic dishwasher cut-off valve

### Unique characteristics



Backflow protection unit type 



- Cold Start
- Ceramic cartridge with soft closing function
- Adjustable flow control and temperature limiter
- Eco Flow (energy and water saving aerator)
- Swivel spout, limitation part for 60°, 85°, 110° or 360° included
- Flush Timeout - safety shut-off to prevent flooding
- Can be turned off for 5 min. (eg for cleaning)
- Low power consumption - Long life
- IP class sensor, IP67
- Approved non-return valves, EN-Standard EN1717

### Installation:

- Automatic sensor calibration
- All models can be adapted for either battery 6V or mains operation 12V AC/DC
- For mains operation requires installation of the adapter kit FMM S600147
- Soft PEX® hoses with 3/8" connecting nut (stainless steel braided)
- Hole diameter Ø34-37 mm

### Settings:

- Programmable detection distance
- Adjustable flush time

### Electronic dishwasher cut-off valve:

- The touch button is mounted in the sink plate or countertop, panel thickness 0–40 mm

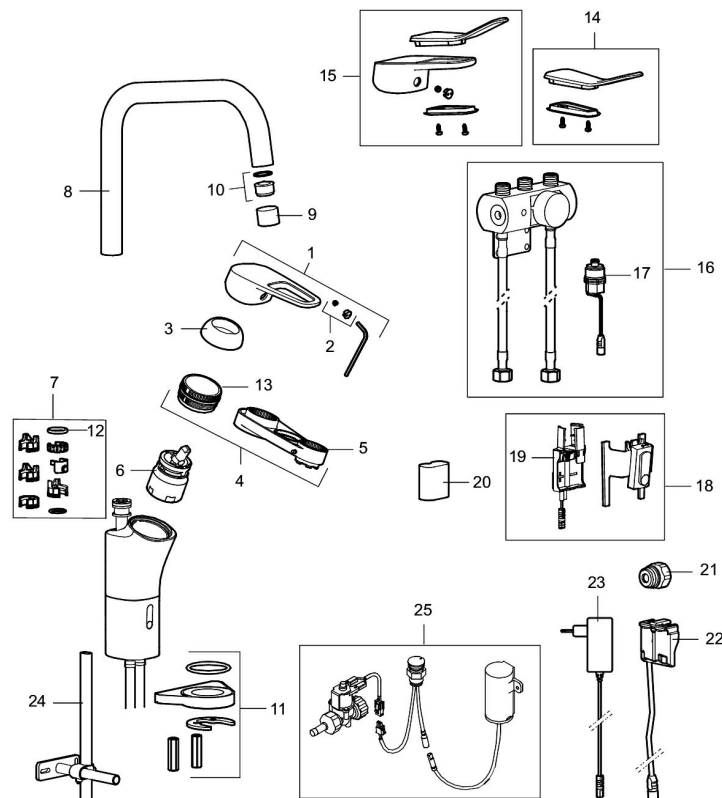
- Colour indicator for mode selection
- Automatic shut-off after 3 or 12 hours
- Supplied with battery, 9V
- Connection G1/2

## PRODUCT DESCRIPTION

### SILJAN duo kitchen mixer

FM Mattsson Siljan Duo has a traditional lever as well as a touchless sensor function. The mixer is activated by holding a hand in front of the sensor. It will deliver a limited amount of water during a chosen time period - 4, 8 or 12 seconds, but can easily be stopped by holding the hand again in front of the sensor. Simple and hygienic!

Article number: 83030010



## Sparepartlist

| NO. | FMM NO.  | RSK     | DESCRIPTION   |
|-----|----------|---------|---|
|     | 44450009 | 8295353 | Accessories (limitation segment, stop screw, allen wrench 3 mm) |
| 1   | 58501000 | 8592023 | Complete lever, chrome  |
| 2   | 58511000 | 8592021 | Cover lid with colour marking                                   |
| 3   | 58521000 | 8592020 | Cover sleeve, chrome  |
| 4   | 58530140 | 8241726 | Fastening nipple with service tool                              |
| 5   | 60770000 | 8591918 | Service tool  |
| 6   | 59120009 | 8591949 | Ceramic cartridge with service tool, cold start (green ring)    |
| 7   | 58641000 | 8594560 | Lock kit for swivel spout                                       |
| 8   | 58652000 | 8394004 | Chrome  |
| 9   | 29142200 | 8281524 | Housing M22 int.  |
| 10  | 29102710 | 8281528 | Aerator insert, 9–11 l/min at 300kPa                            |

| NO. | FMM NO.  | RSK     | DESCRIPTION  |
|-----|----------|---------|--|
| 11  | 39142800 | 8186893 | Fastening kit, for kitchen mixer with on/off valve |
| 12  | 37801550 | 8295350 | O-ring 15,54 x 2,62, 2 pcs                         |
| 13  | 29390000 | 8295356 | Fastening nipple                                   |
| 14  | 35974009 | 8592038 | Care-kit   |
| 15  | 58504000 | 8592049 | Care-lever, complete                               |
| 16  | 16282000 |         | Mixing valve                                       |
| 17  | 16201000 | 8553500 | Solenoid valve                                     |
| 18  | S600166  | 8387157 | Sensor   |
| 19  | 16223000 |         | Battery holder                                     |
| 20  | S600135  | 8483191 | Battery  |
| 21  | S600141  | 8229257 | Transition nipple                                  |
| 22  | S600131  | 8483190 | AC adapter   |
| 23  | S600129  | 8483188 | Power supply 12V                                   |
| 24  | 39147000 | 8592050 | Stabilizer kit                                     |
| 25  | 35010000 | 8394002 | Electronic dishwasher cut-off valve                |