

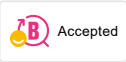
## 9000XE shower mixer


9000XE shower mixer in brushed chrome is the successor to one of our best-selling shower mixers. Its design is as sophisticated as that of its predecessor, but it has been upgraded with double check valves, faster temperature regulation, lower weight and noise absorbing functions. The product can be supplemented with a tub spout.

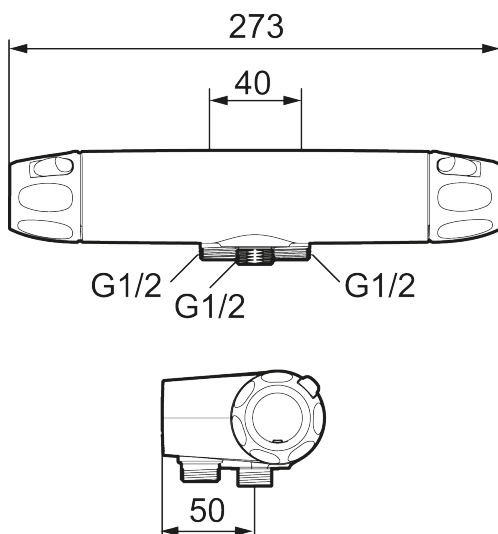
**Article number:** 86850003 **Flow 3 bar:** 12.2 l/m

**Description:** Brushed chrome, 40 c/c, pipe connection down

### Unique characteristics



Backflow protection unit type 



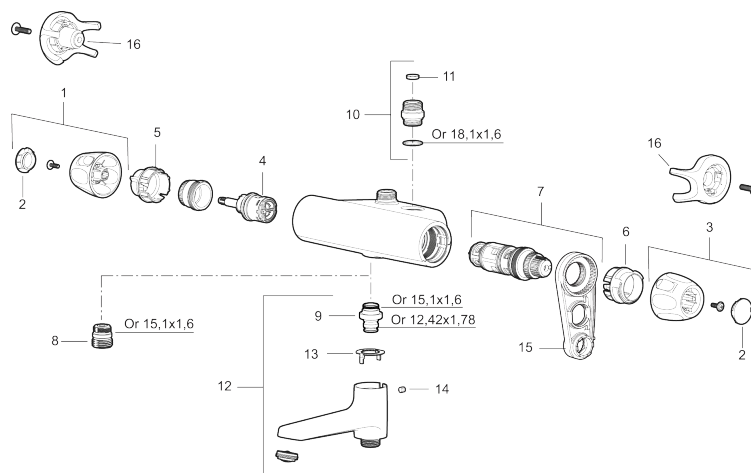
- Note! 40 c/c
- With shower connection down
- Pressure balanced thermostatic mixer
- With ceramic sealed headwork
- With wall fixing
- Temperature handle with safety stop at 38°C
- With Eco-function
- Lead Free material
- Approved non-return valves, EN-Standard EN1717
- Note! Not for Vaska

## PRODUCT DESCRIPTION

### 9000XE shower mixer

9000XE shower mixer in brushed chrome is the successor to one of our best-selling shower mixers. Its design is as sophisticated as that of its predecessor, but it has been upgraded with double check valves, faster temperature regulation, lower weight and noise absorbing functions. The product can be supplemented with a tub spout.

Article number: 86850003



## Sparepartlist

NO.	FMM NO.	RSK	DESCRIPTION
1	S600083	8218917	On/off handle, complete, krom
1	S600083.75	8218919	On/off handle, complete, brushed chrome
2	S600116	8218920	End cover, chrome
2	S600116.75	8218922	End cover, brushed chrome
3	S600082	8218914	Temperature handle, complete, chrome
3	S600082.75	8218916	Temperature handle, complete, brushed chrome
4	S600020	8441462	Ceramic headwork, with service tool (shower mixer)
4	S600269	8387232	Ceramic headwork, without tool (shower mixer)
4	S600021	8441463	Ceramic headwork, with service tool (bath mixer)
4	S600270	8387233	Ceramic headwork, without tool (bath mixer)
5	S600086	8439710	Stop ring, standard
6	S600087	8439711	Scalding protection ring
6	S600026	8439708	Scalding protection ring, max 42 °C
7	S600084	8439709	Thermostatic cartridge, complete, incl. service tool
7	S600271	8397030	Thermostatic cartridge, complete, without service tool
8	S600088	8439712	Nipple M18x1–G1/2 for shower mixer
9	39754000	8591969	Nipple M18x1 with o-ring for bath mixer

NO.	FMM NO.	RSK	DESCRIPTION
10	59820800	8591970	Inlet connector
11	38632006	8590311	Filter
12	S600077	8241000	Swivel spout with integrated diverter, chrome
12	S600077.75	8357750	Swivel spout with integrated diverter, brushed chrome
13	38521000	8295345	Stop ring
14	38086000	8439701	Locking screw
15	S600298	3870203	Service tool
16	S600105	8439713	Care-handle, black, 2 pcs