



Unique characteristics

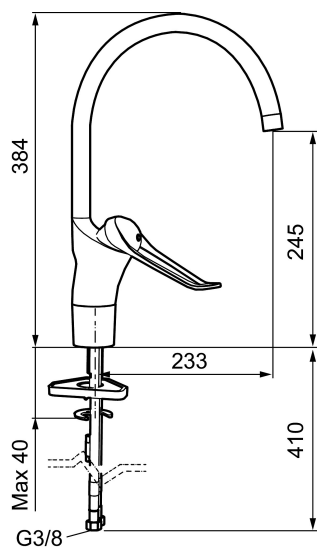
9000E II care kitchen mixer

An optimal fusion of design and function. The FM Mattsson 9000E range ushers in a new generation of mixers that are environmentally engineered down to the last detail. The mixer has an extra long lever, providing an easier grip for weak hands. This is just one of the special solutions that make our products ideal for a lifetime of use. In short, FM Mattsson has a mixer design for everybody.

Article number: 80004010

Description: Chrome, connection nut G3/8"

- Cold Start
- Ceramic cartridge with soft closing function
- Adjustable flow control and temperature limiter
- Eco Flow (energy and water saving aerator)
- Swivel spout, limitation part for 60°, 85°, 110° or 360° included
- Soft PEX® hoses (stainless steel braided)
- Hole diameter Ø34-37 mm
- Lever: 150 mm

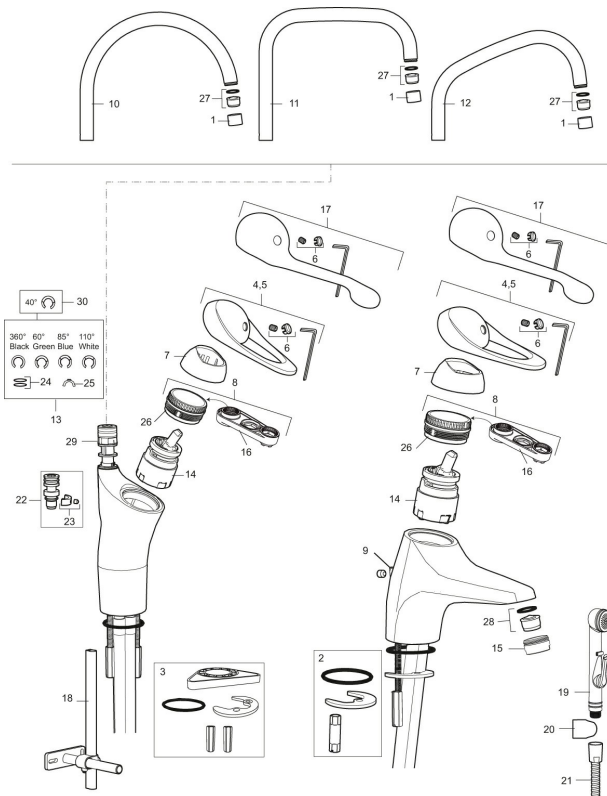


PRODUCT DESCRIPTION

9000E II care kitchen mixer

An optimal fusion of design and function. The FM Mattsson 9000E range ushers in a new generation of mixers that are environmentally engineered down to the last detail. The mixer has an extra long lever, providing an easier grip for weak hands. This is just one of the special solutions that make our products ideal for a lifetime of use. In short, FM Mattsson has a mixer design for everybody.

Article number: 80004010



Sparepartlist

NO.	FMM NO.	RSK	DESCRIPTION
1	29142200	8281524	Housing M22 int.
2	39140800	8186891	Fastening kit for basin mixer
3	39141800		Fastening kit, for kitchen mixer without on/off valve
4	58500000	8591936	Lever, complete, L=90 mm
5	58501750	8591937	Lever, complete, L=150 mm
6	58510000	8591944	Cover lid with colour marking
7	58520000	8591945	Cover sleeve
8	58530140	8241726	Fastening nipple with service tool
9	58540000	8591940	Chain bracket
10	58600000	8154074	Spout, C-model

NO.	FMM NO.	RSK	DESCRIPTION
10	58600200		Chrome
11	58610000	8154075	Spout, U-model
12	58620000	8154076	Chrome
13	58640000	8594555	Lock kit for swivel spout
14	59115500	8591947	Ceramic cartridge with service tool, standard (red ring)
14	59126000	8591966	Ceramic cartridge with service tool, Eco Plus (green ring)
14	59120009	8591949	Ceramic cartridge with service tool, cold start (green ring)
14	59120000	8591769	Ceramic cartridge, cold start (green ring)
15	29142400	8281526	Housing M24 ext., 13 mm
16	60770000	8591918	Service tool
17	58501800	8592048	Lever, complete, L=180 mm
18	39147000	8592050	Stabilizer kit
19	S600206	8233049	Self-closing hand shower, chrome
20	34093000	8186018	Wall bracket, chrome
21	S600207	8236647	Shower hose, L=1,5 m, chrome
22	37791000	8295341	Spout nipple, complete, for fixed spout
23	38081000	8295334	Stop screw with limitation segment
24	37801550	8295350	O-ring 15,54 x 2,62, 2 pcs
25	58642000	8295339	Fixed plug, 2 pcs, (black/grey)
26	29390000	8295356	Fastening nipple
27	29102290	8242220	Aerator insert, 7–9 l/min at 300kPa
27	29102890	8281533	Aerator insert, 10–13 l/min at 300kPa
28	29102910	8281534	Aerator insert, 5,5–6,5 l/min at 300kPa
28	29102710	8281528	Aerator insert, 9–11 l/min at 300kPa
28	29100500	8281532	Aerator insert, 5 l/min at 200–600 kPa
29	S600018	8394128	Spout nipple, complete
30	58644000	8594558	Limitation segment 40°