

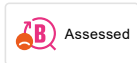



FM Mattsson tronic WMS, basin mixer, battery operation

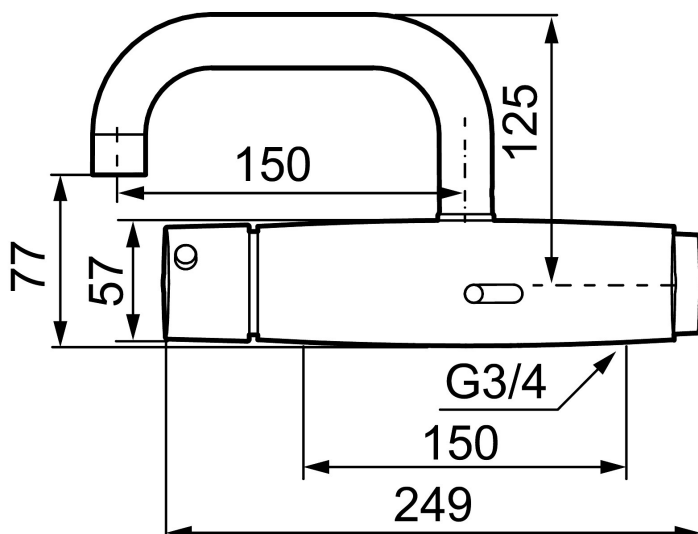
Article number: 16502500

Description: Chrome

Uniqe characteristics



Backflow protection unit type 



- WMS-mixers with possibilities of wireless connection (subscription is required)
- Adjustable hygiene flushing, intervals and rinsing time (to avoid stagnant water)
- Logging of all flushings with point of time, water consumption and temperature for individual mixer or group of mixers (minimum, maximum and average values)
- Battery monitoring
- Built-in temperature measurements of mixed water temperature
- Programmable temperature stop, the mixer will turn off directly at set maximum temperature
- With mixing valve (but also provides cold drinking water as well as hot water only)
- Soft closing solenoid valve
- Safe against vandalism, complete in metal
- Eco (energy and water saving constant flow aerator, 5 l/min at 200–600 kPa)
- With fixed spout
- The mixer is activated by holding a hand in front of the sensor eye. Once started the mixer will run for at least 6 seconds and will continue to run as long as the hand is in front of the sensor.
- Flush Timeout - safety shut-off to prevent flooding, maximum of 60 seconds
- 60 sec. rinse time via sensor
- Can be turned off by solenoid valve (eg for cleaning)
- Low power consumption - Long life
- Equipped with system for thermal disinfection against legionella
- Battery operation, can be converted to mains operation
- IP class sensor, IP67
- Approved non-return valves, EN-Standard EN1717

Installation:

- Note! Gateway and a subscription is required for WMS
- Automatic sensor calibration
- Easy to change battery, without turning off the water supply
- Mains operation requires installation of the AC adapter FMM S600132, and power supply FMM S600129 alternatively transformer FMM S600128

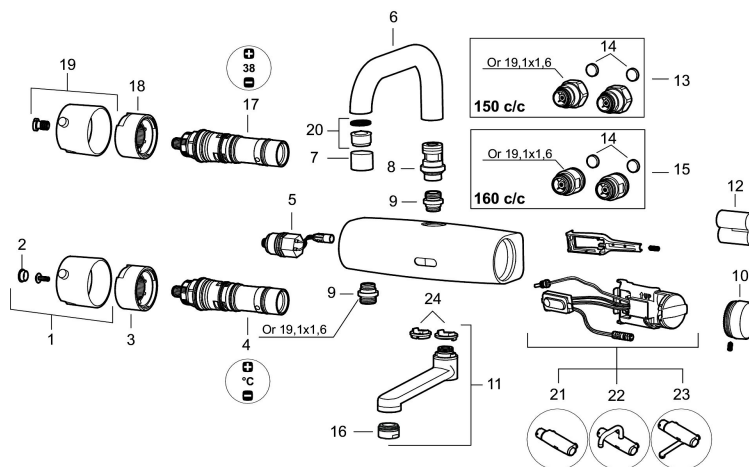
Settings:

- Adjustable max temperature
- With Gateway and WMS:
 - Hygiene flushing with adjustable time and intervals
 - Initiate hot water rinsing
 - Programming of rinsing times, temperature alarm och temperature stops
 - Alert signal if exceeding the time limit for stagnant water (the latest flushing)

PRODUCT DESCRIPTION

FM Mattsson tronic WMS, basin mixer, battery operation

Article number: 16502500



Sparepartlist

NO.	FMM NO.	RSK	DESCRIPTION
1	16221500	8438800	On/off handle, complete (for basin mixer)
2	39030000	8295347	End cover, chrome, 2 pcs
3	38525000	8218893	Stop ring (for basin mixer)
4	16280000	8483159	Mixing valve (for basin mixer), Lead Free
4	16280100		Mixing valve (for basin mixer)
5	16201000	8553500	Solenoid valve
6	58670000	8483157	Spout, L=150 mm
7	29142200	8281524	Housing M22 int.
8	16292000	8483161	Nipple
9	39710800	8591967	Nipple M18x1-G1/2 for shower mixer
10	16222600	8438816	Cover plug for battery, black
11	32990000	8440588	Spout
12	S600135	8483191	Battery
13	16291500	8438803	Inlet connectors 150 c/c (left-handed thread)
14	16290000	8438802	Filter, 2 pcs
15	16291600	8438804	Inlet connectors 160 c/c
16	29301000	8439698	Aerator M24 ext.
17	16281000	8218892	Thermostatic unit (for shower- and hospital mixer)
18	38515000	8218894	Stop ring (for shower- and hospital mixer)

NO.	FMM NO.	RSK	DESCRIPTION
19	16211500	8438808	On/off handle, complete (for shower- and hospital mixer)
20	29100500	8281532	Aerator insert, 5 l/min at 200–600 kPa
21	16216200	8438812	Electronic unit WMS (for shower mixer)
22	16216300	8438813	Electronic unit WMS (for mixer with overhead spout)
23	16216400	8438814	Electronic unit WMS (for mixer with underlying spout)
24	58643000	8394022	Limitation segment (for mixer with underlying spout)